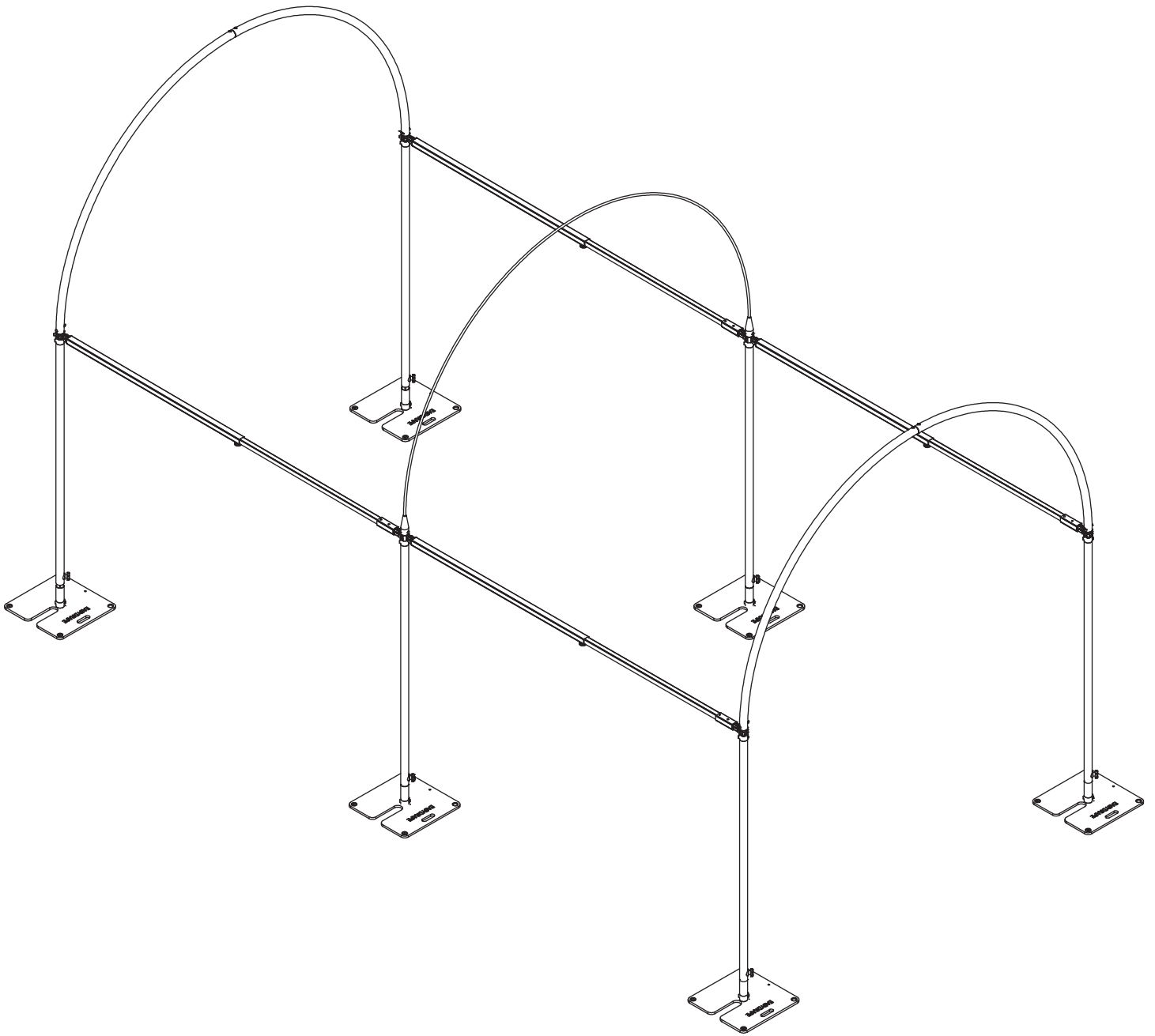


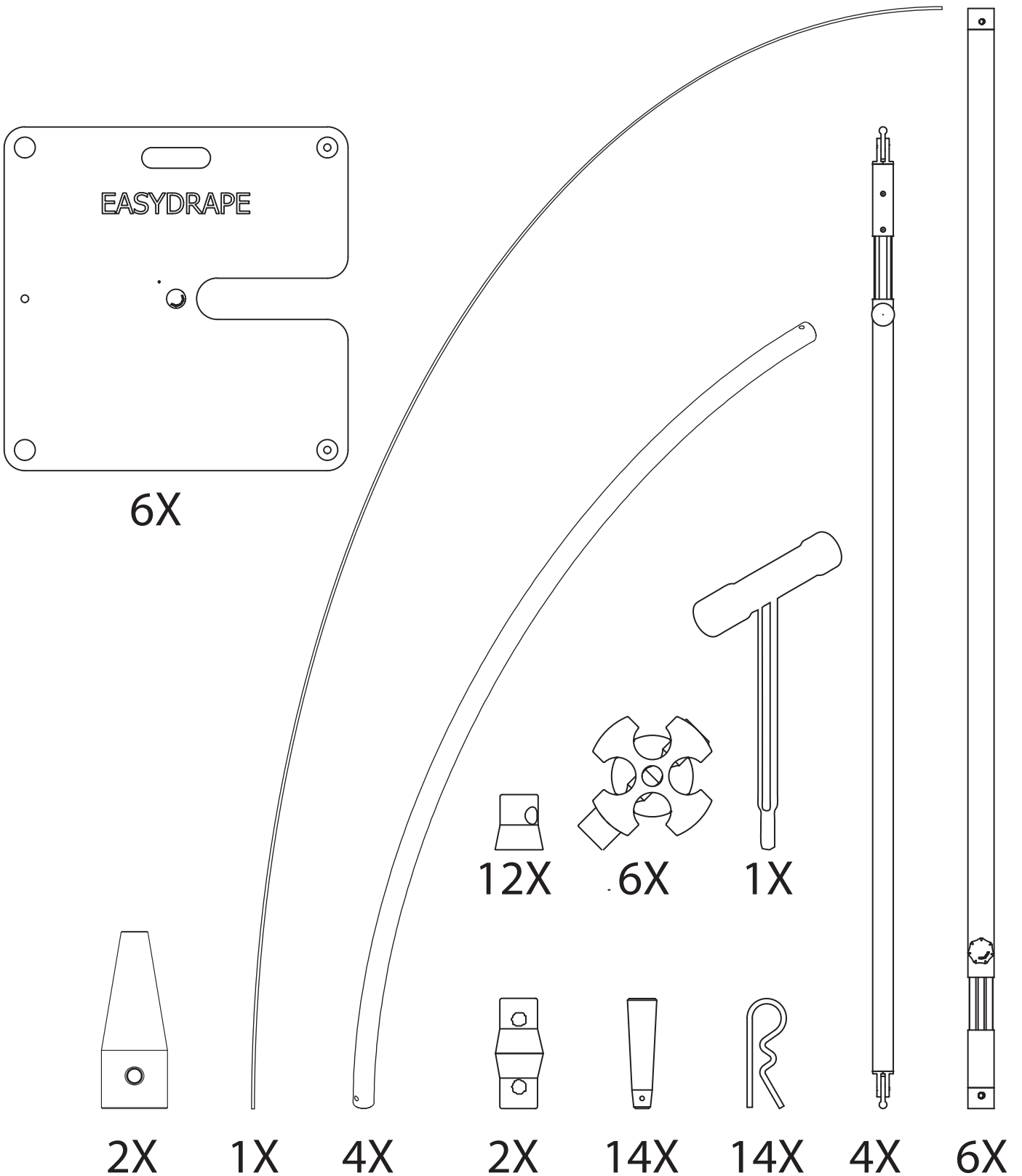
EASYDRAPE

MAKING A TUNNEL



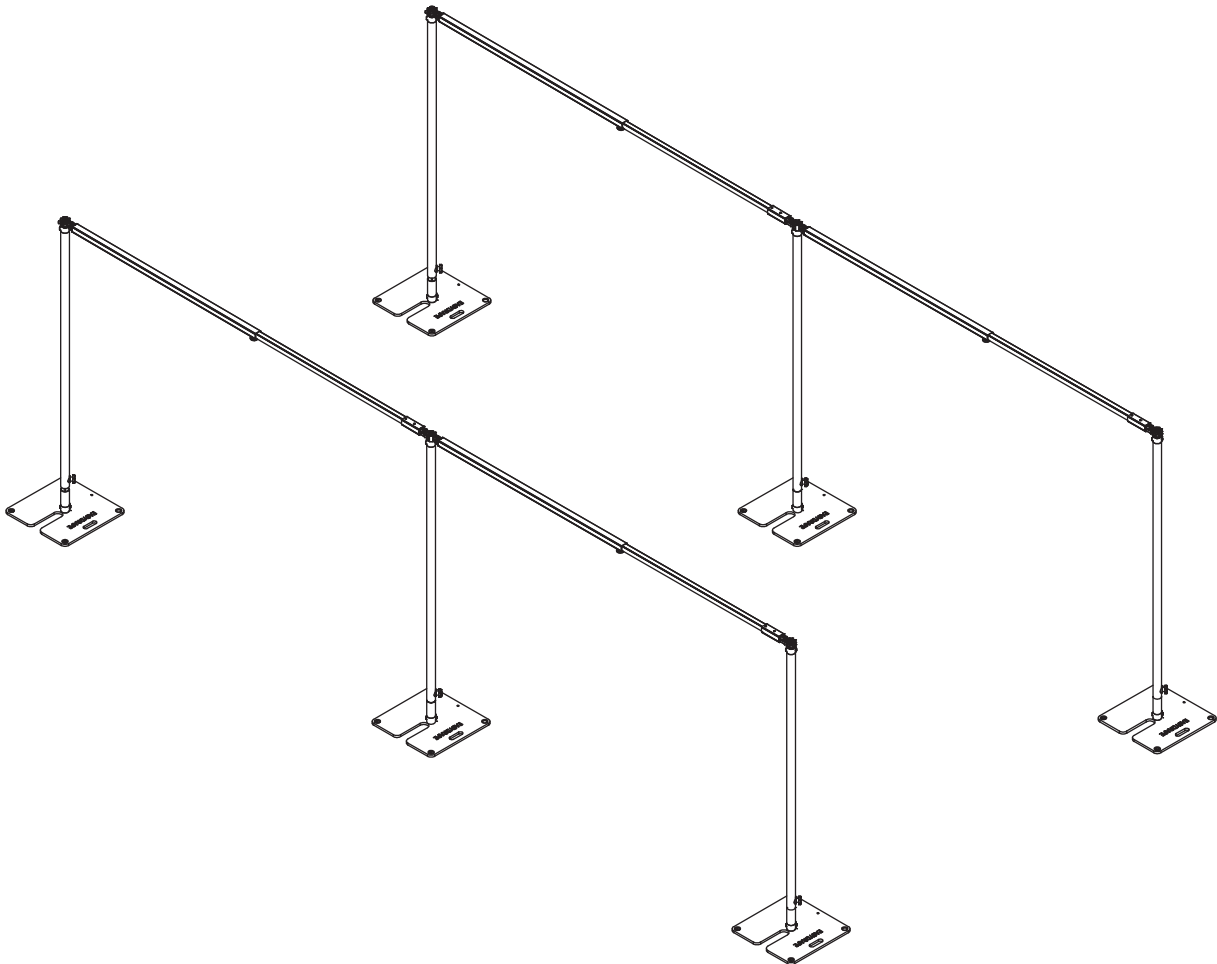
COMPONENTS

Create unlimited EasyDrape configurations using these different parts.



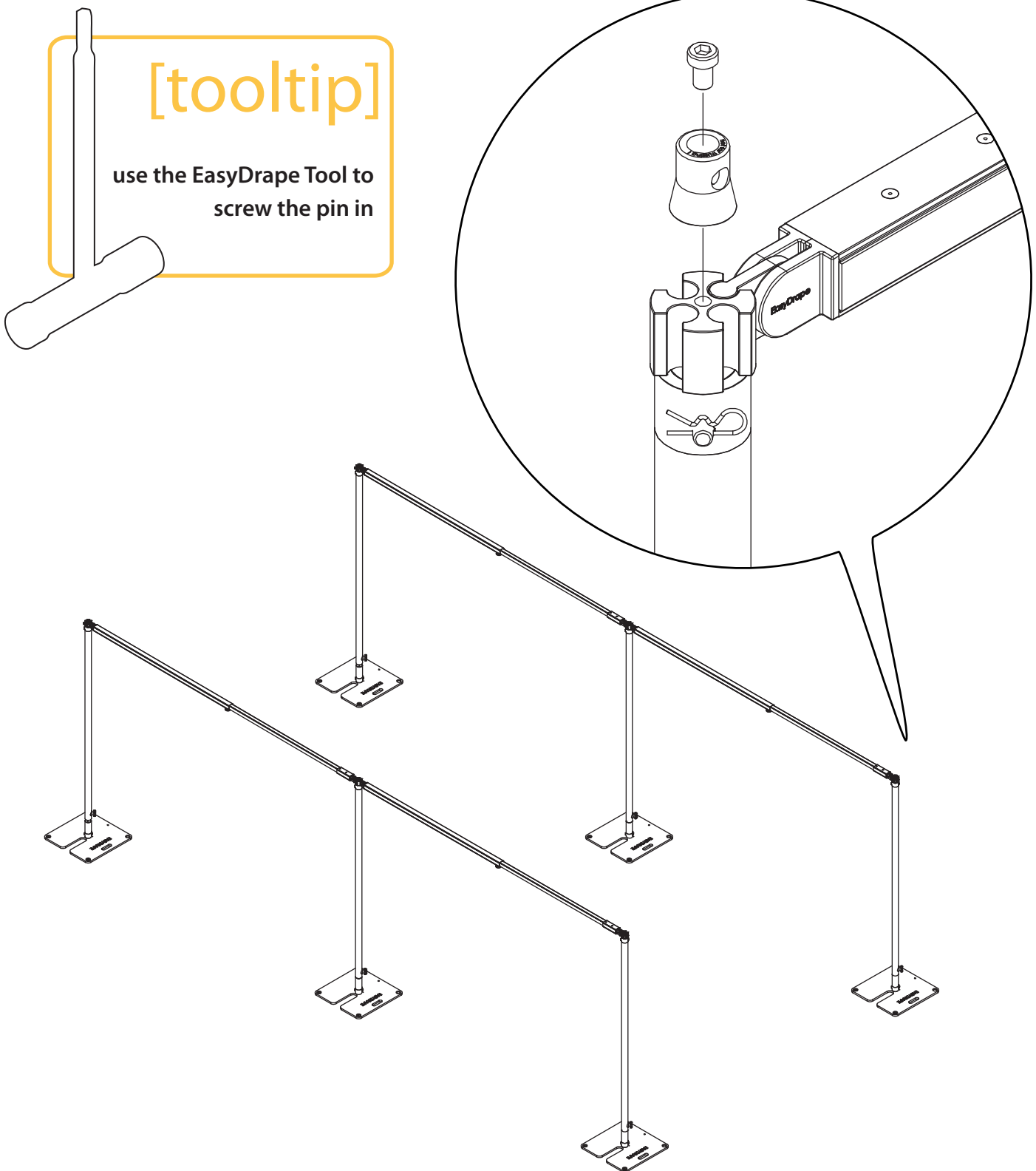
MAKING A TUNNEL

- [1] Place 6 base plates, in 2 rows, at the desired distance apart
- [2] Attach the base plate connectors to the base plates (page 7)
- [3] Attach the Uprights to the plates and the four way adaptor piece to the Uprights (page 8)
- [4] Secure the four way adaptor pieces and the Uprights (page 9)
- [5] Attach the horizontal drape support to the four way adaptor piece of each Upright (page 10)
- [6] Extend the EasyDrape assembly horizontally to the desired width (page 11)



ASSEMBLY

- [7]** Attach a half conical coupler to all Uprights.
Use the EasyDrape Tool to screw the pin through the coupler into the four way adaptor piece.



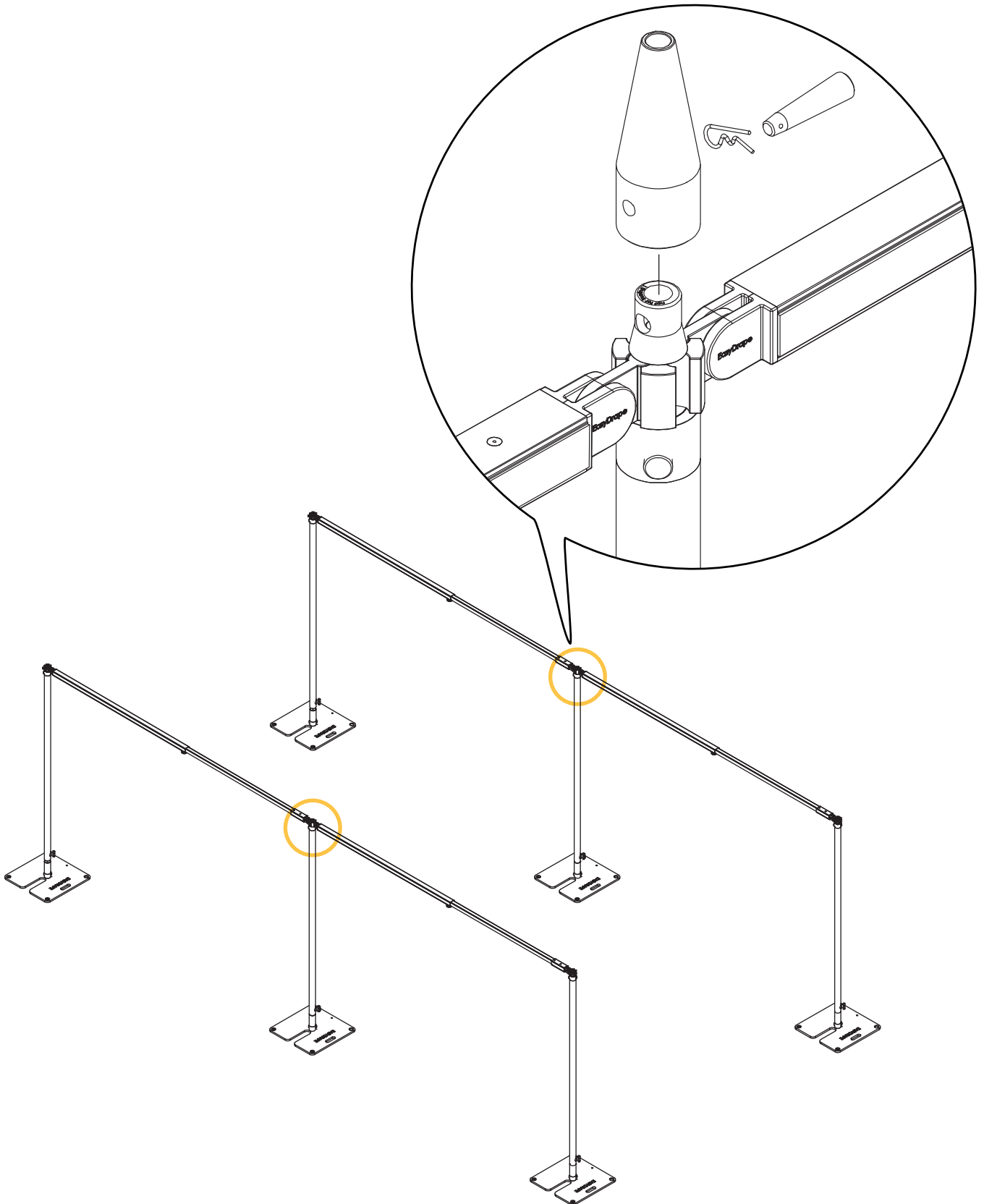
ASSEMBLY

[8]

Attach a Fibre Rod Adaptor to the 2 Uprights in the middle.

Use the EasyDrape Tool to hammer the pin into the larger of the two holes in the adaptor.

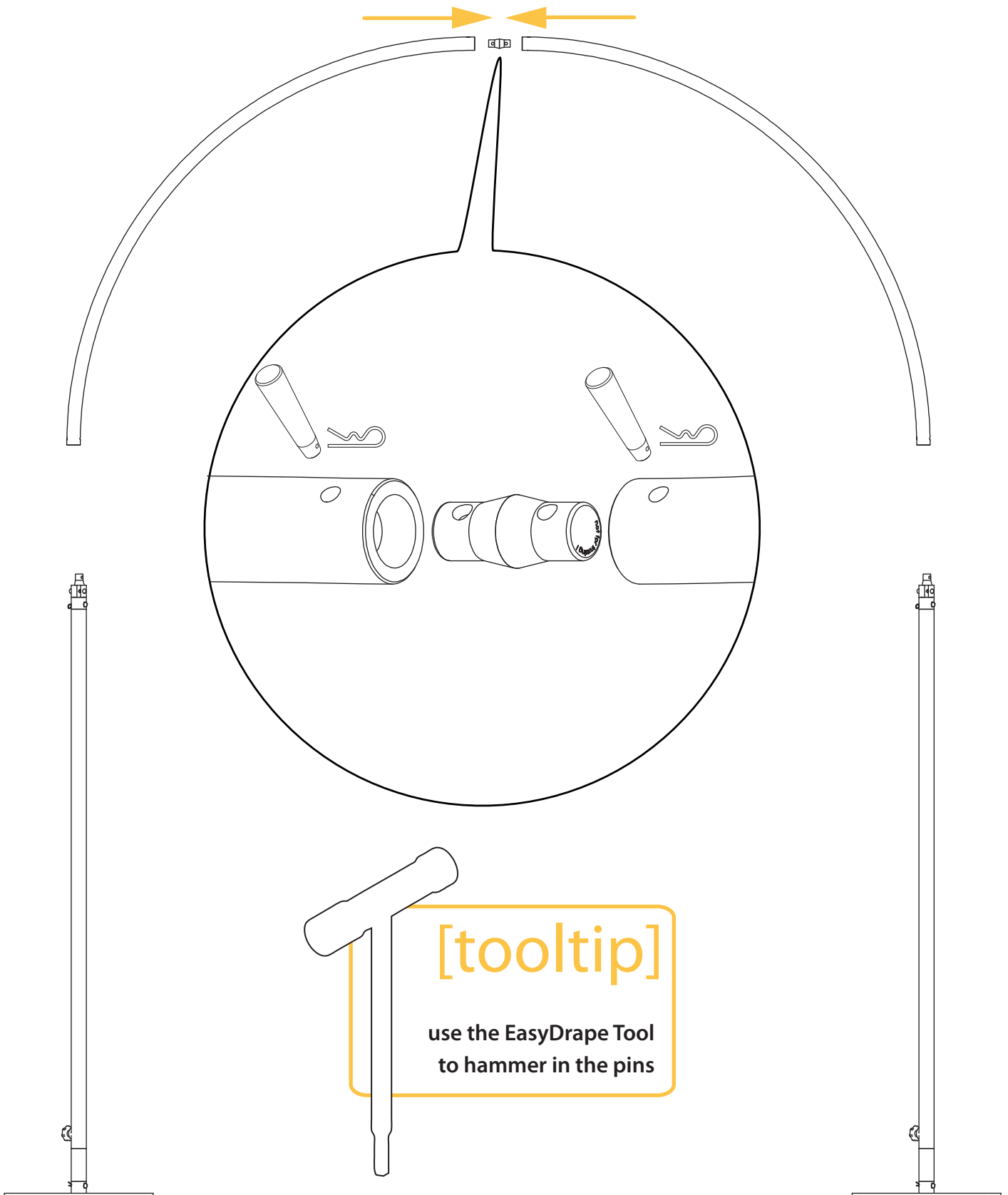
Use a safety R-spring to secure the Fibre Rod Adaptor to the Uprights.



[9]**Attach two quarter curve supports with one conical coupler**

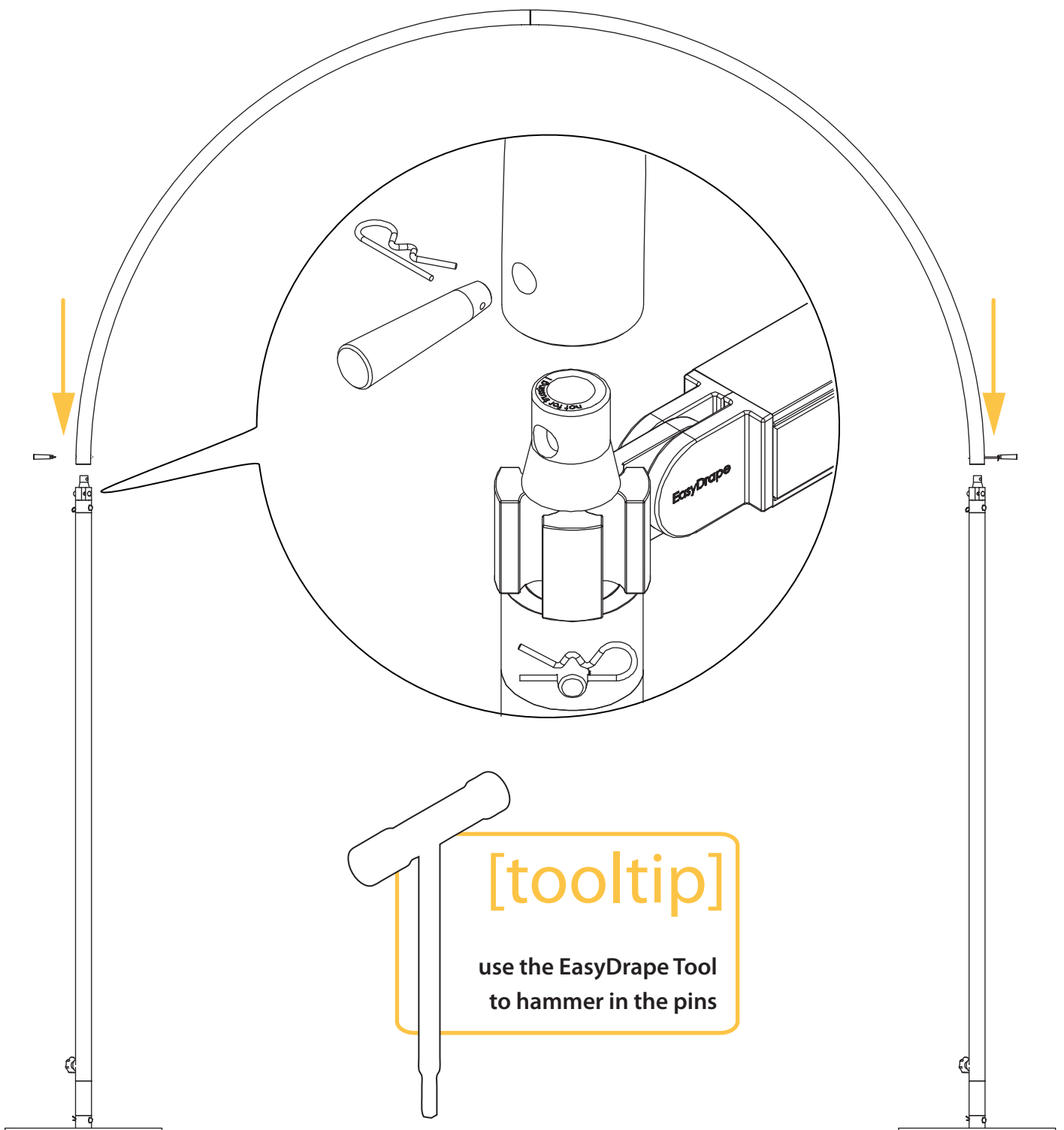
Hammer the pins into the larger of the two holes.

Use safety R-springs to secure the two curved supports to each other .

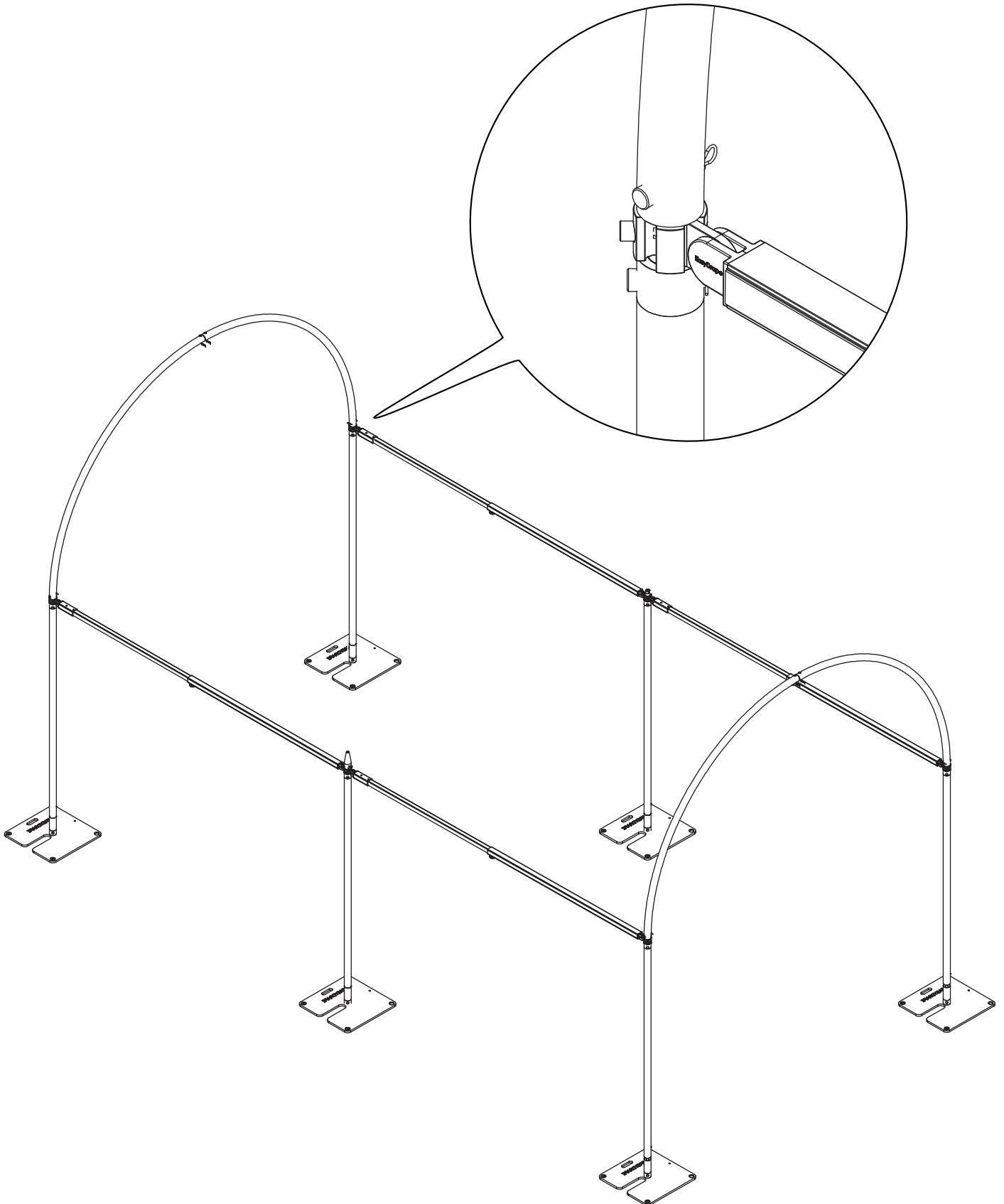


[10] Attach the Arch to the Uprights in the front

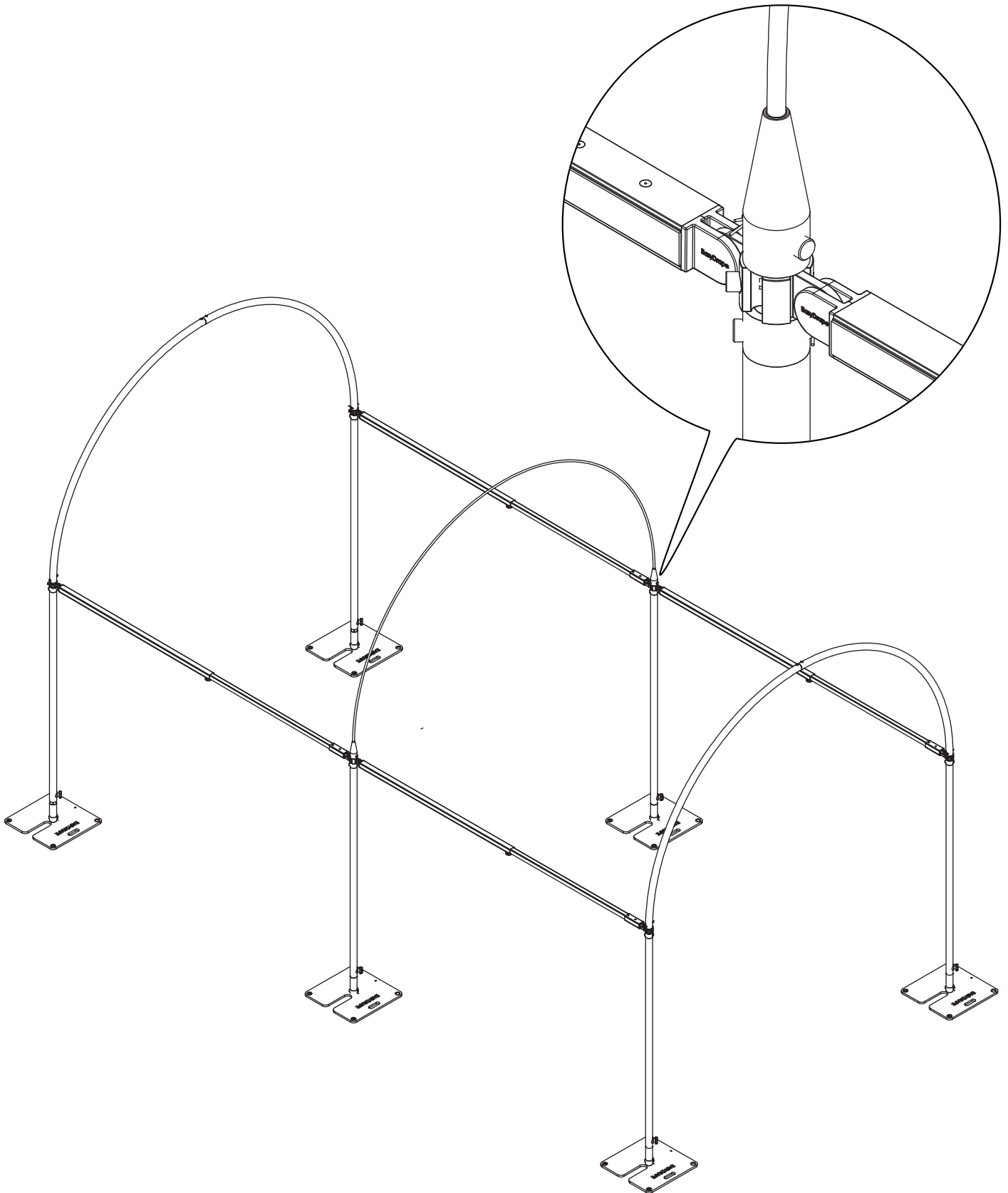
Hammer the pin into the larger of the two holes. Use a safety R-spring to secure the Arch to the Uprights.



- [11]** Build the EasyDrape Arch in the back by repeating step 9 and 10
Always build the front and back Arch like this. All the ones in between can be made with Fibre Rods, like shown in the next step.



- [12]** Build the EasyDrape Arch in the middle by bending the Fibre Rod. Stick each side into a Fibre Rod Adaptor. Repeat this for as long as you want your tunnel to be.



- [13]** Add Fibre Rod Arches for as long as you want your tunnel to be.
Make sure the first and last Arch are always made out of Aluminium Pipes.
After attaching fabric, you're ready to roll!

