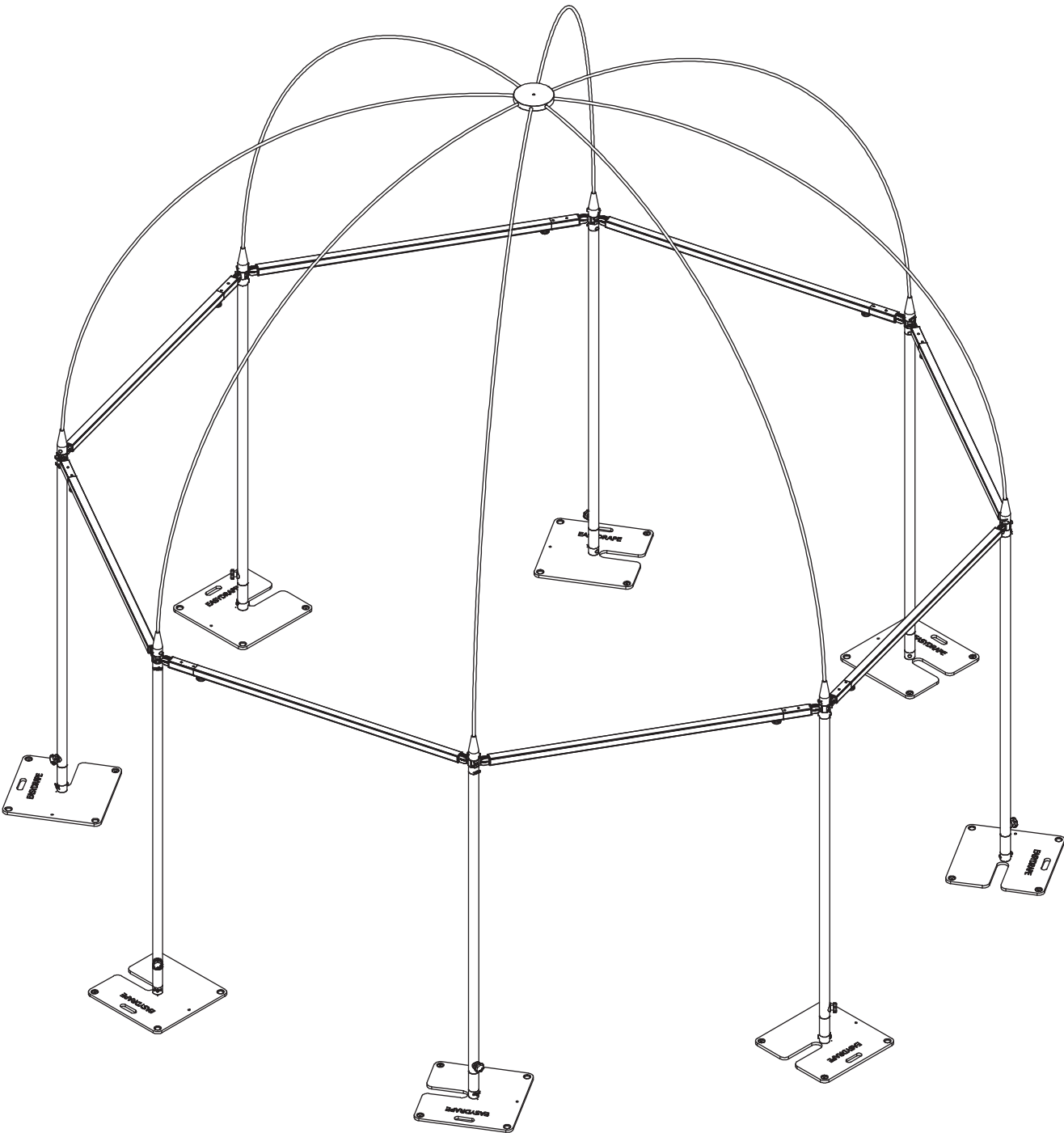


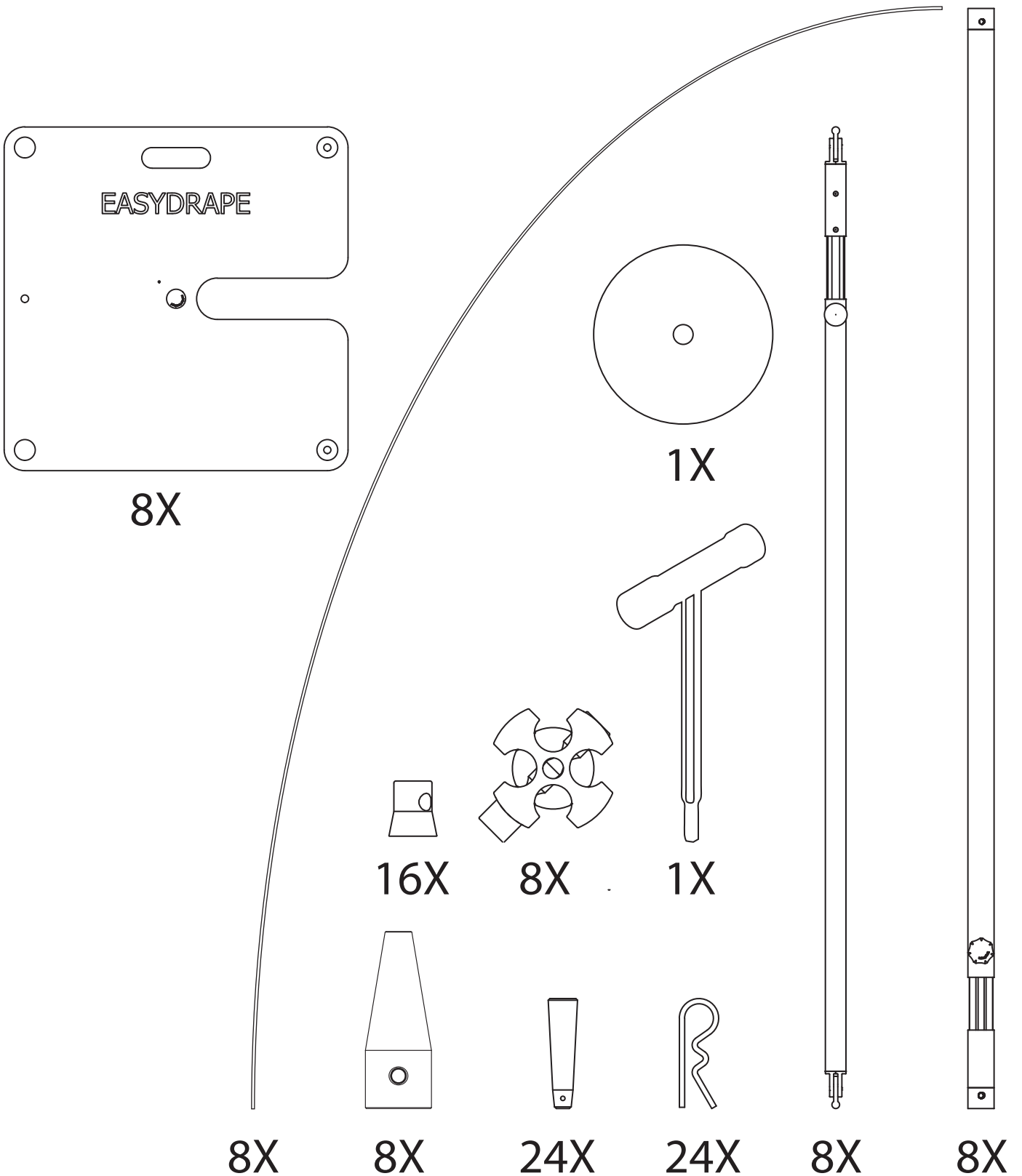
EASYDRAPE

MAKING A DOME



COMPONENTS

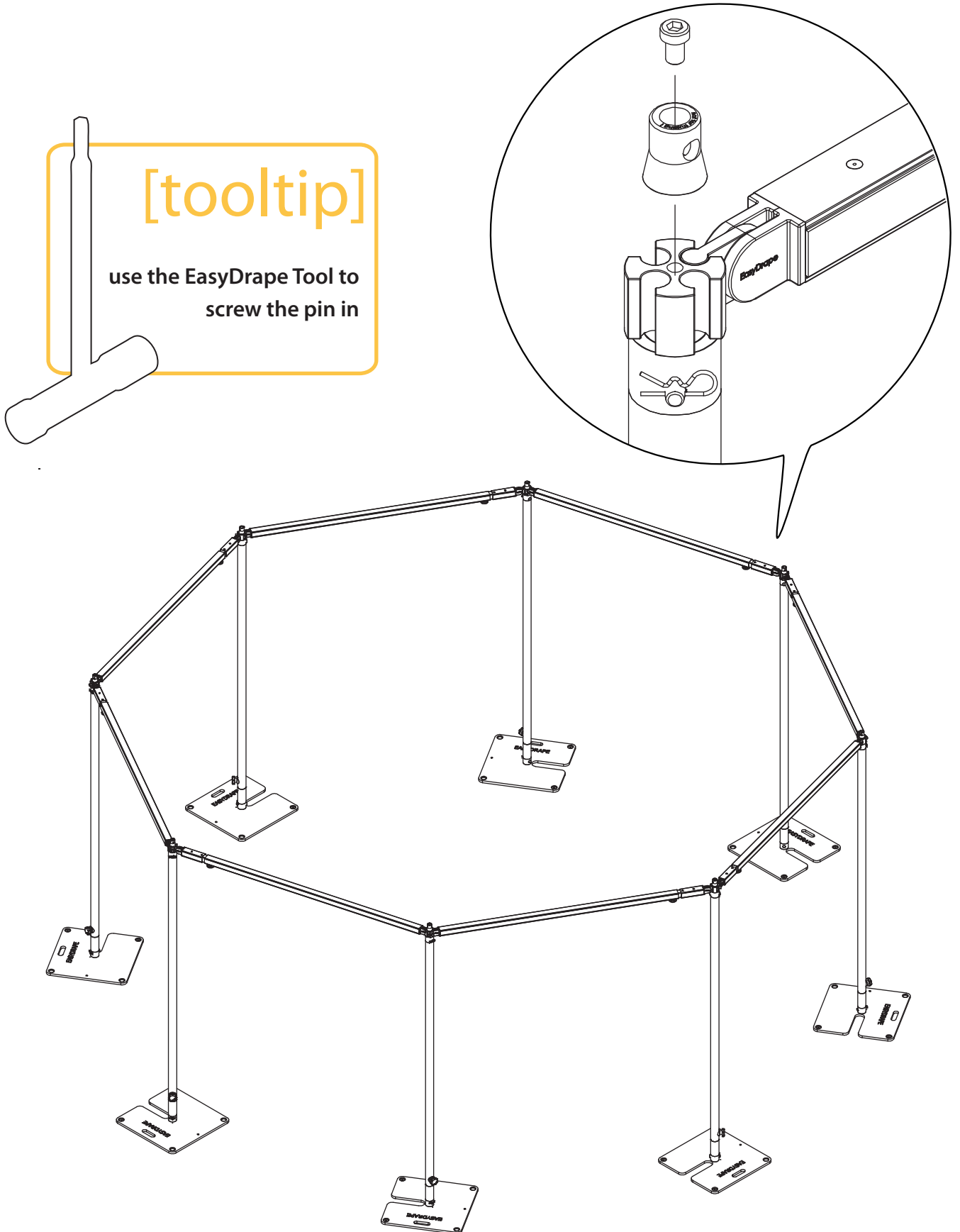
Create unlimited EasyDrape configurations using these different parts.



ASSEMBLY

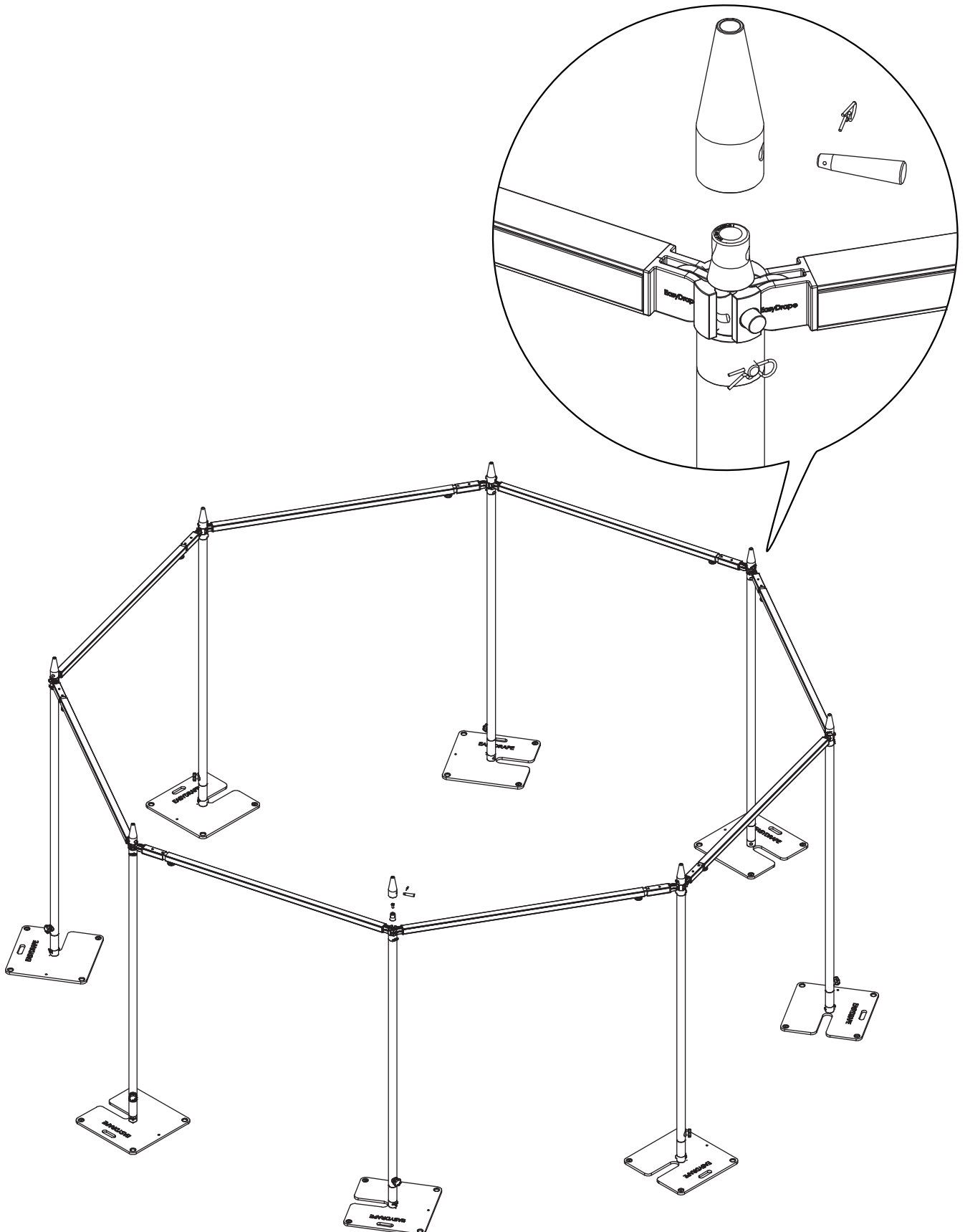
- [1]** Place 8 base plates, in a circle, at the desired distance apart
- [2]** Attach the base plate connectors to the base plates (page 7)
- [3]** Attach the Uprights to the plates and the four way adaptor piece to the Uprights (page 8)
- [4]** Secure the four way adaptor pieces and the Uprights (page 9)
- [5]** Attach the horizontal drape support to the four way adaptor piece of each Upright (page 10)
- [6]** Extend the EasyDrape assembly horizontally to the desired width (page 11)

- [7]** Attach a Half Conical Coupler and a Fibre Rod Adaptor to all the Uprights.
Use the EasyDrape Tool to screw the pin through the coupler into the four way adaptor piece.



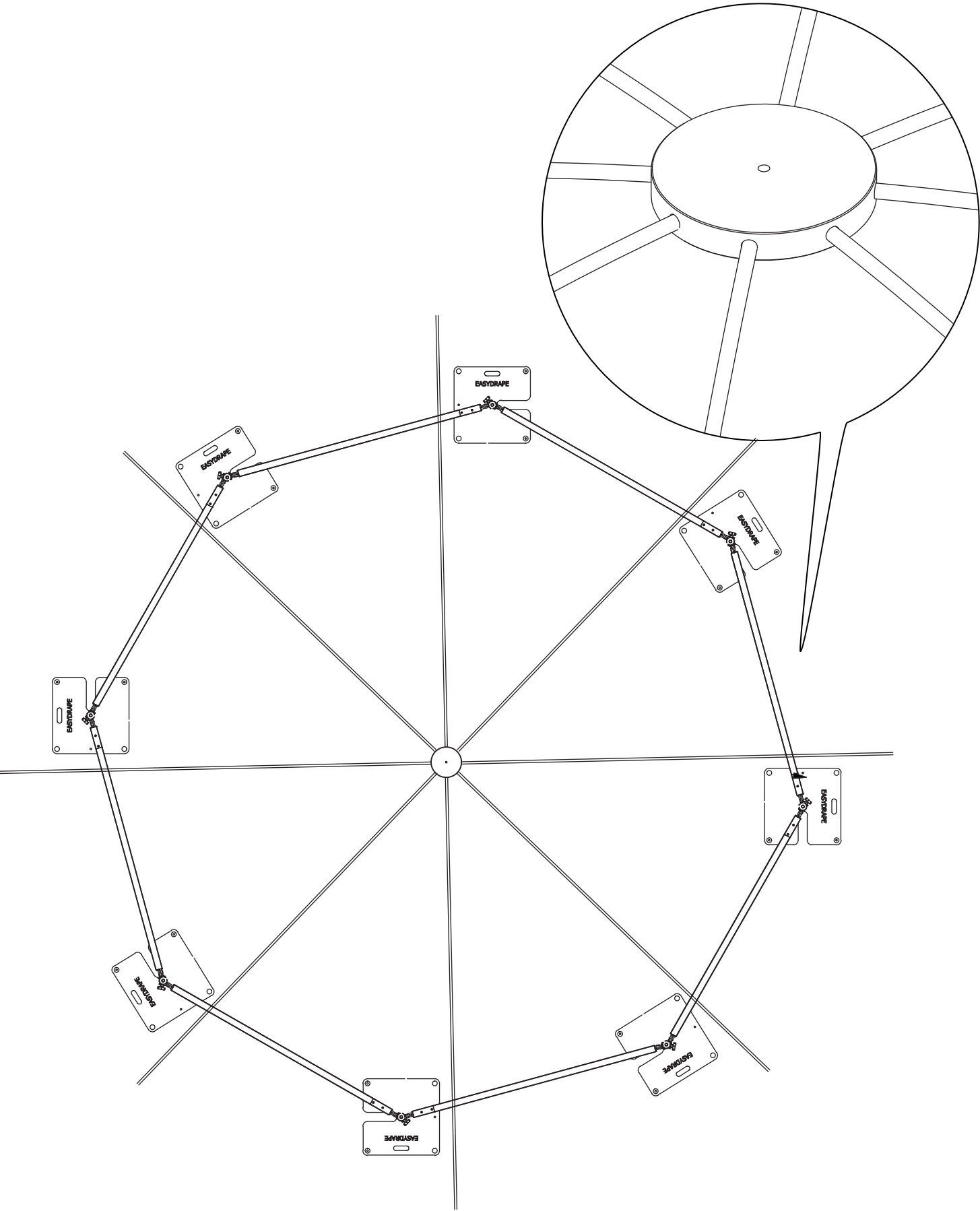
[8] Attach a Fibre Rod Adaptor to the Uprights.

Use the EasyDrape Tool to hammer the pin into the larger of the two holes in the adaptor. Use a safety R-spring to secure the Fibre Rod Adaptor to the Uprights.



[10]

One by one insert the Fibre Rods into the EasyDrape Fibre Disk.
Position the Fibres on top of the horizontal drape supports to attach your fabric it.



[1 1] Two by two, push the opposed Fibre Rods to the middle of the dome, bending them upwards. And connect them to a Fibre Rod Adaptor.

