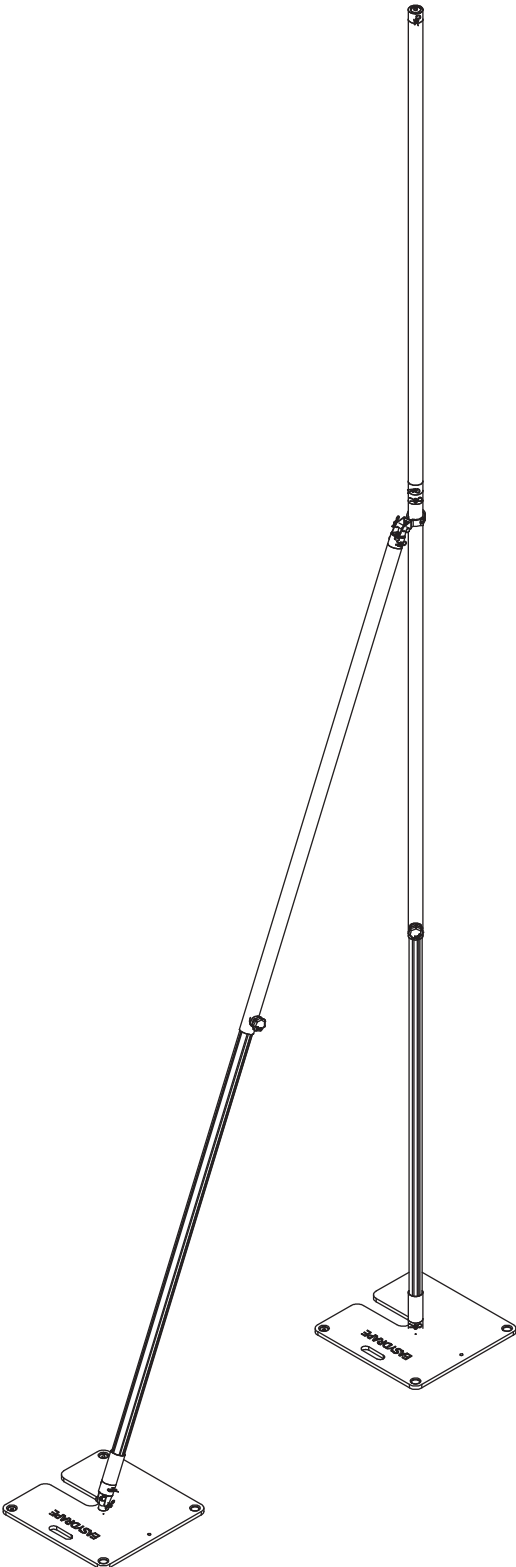


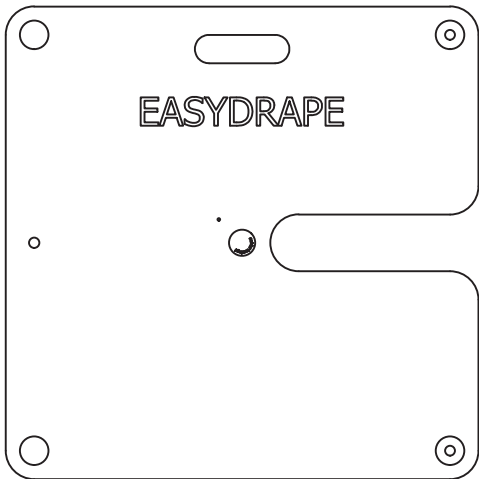
EASYDRAPE

SUPPORT BRACE



COMPONENTS

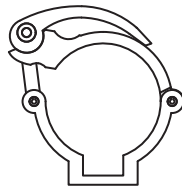
Create unlimited EasyDrape configurations using these different parts.



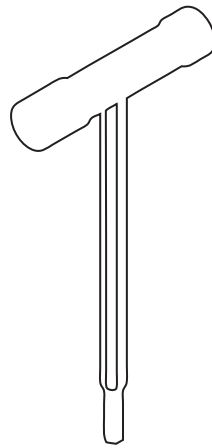
2X



4X

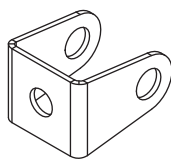


8X



1X

1X



3X



4X



4X



3X

ASSEMBLY

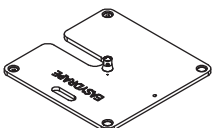
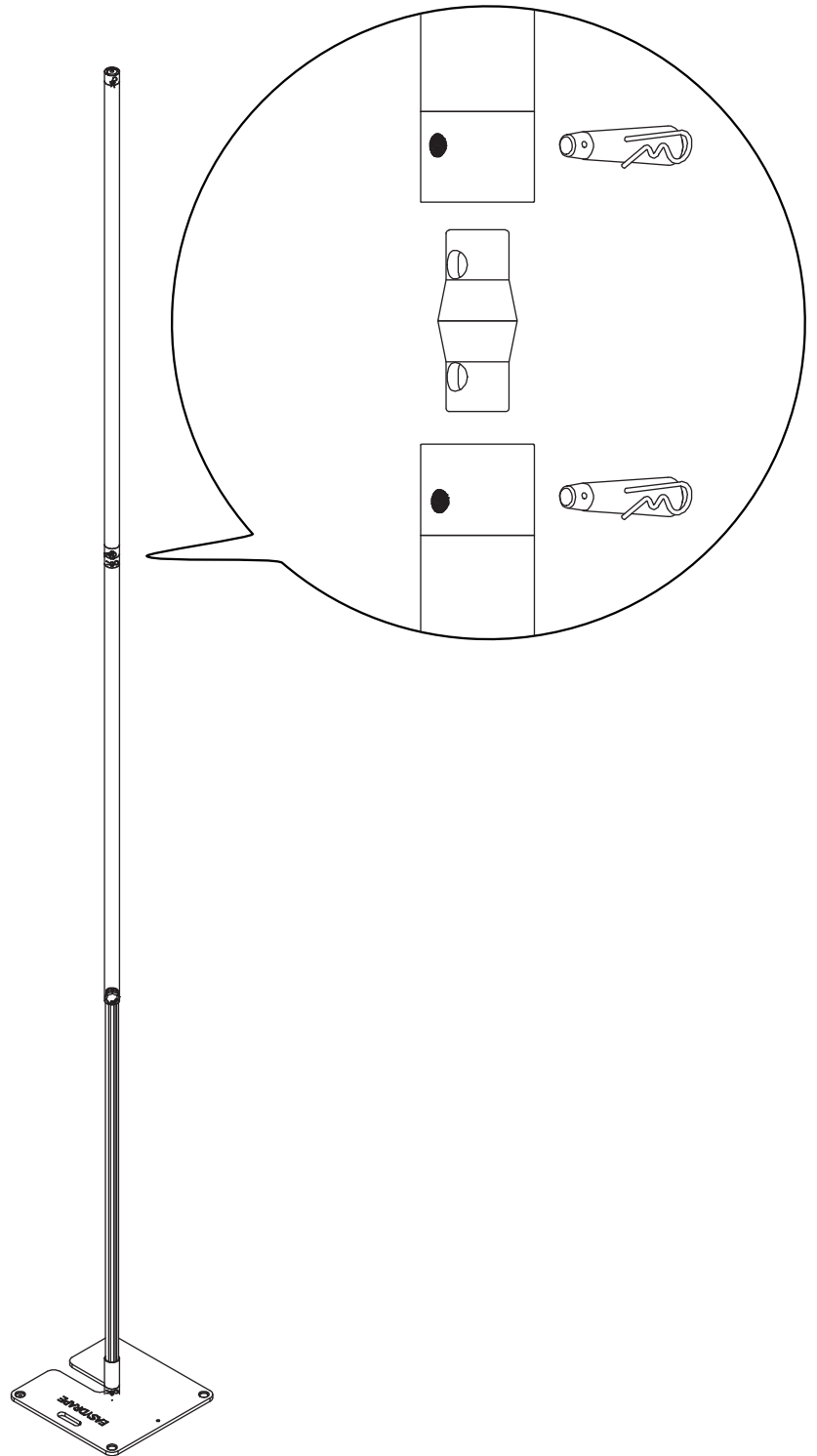
- [1] Place 2 base plates at the desired distance apart
- [2] Attach the base plate connectors to the base plates (page 7)
- [3] Attach an Upright to one of the plates (page 8)

- [4]** Attach an extension to the Upright with one conical coupler.
Hammer the pins into the larger of the two holes. Use safety R-springs to secure the two curved supports to each other.



[tooltip]

use the EasyDrape Tool
to hammer in the pins

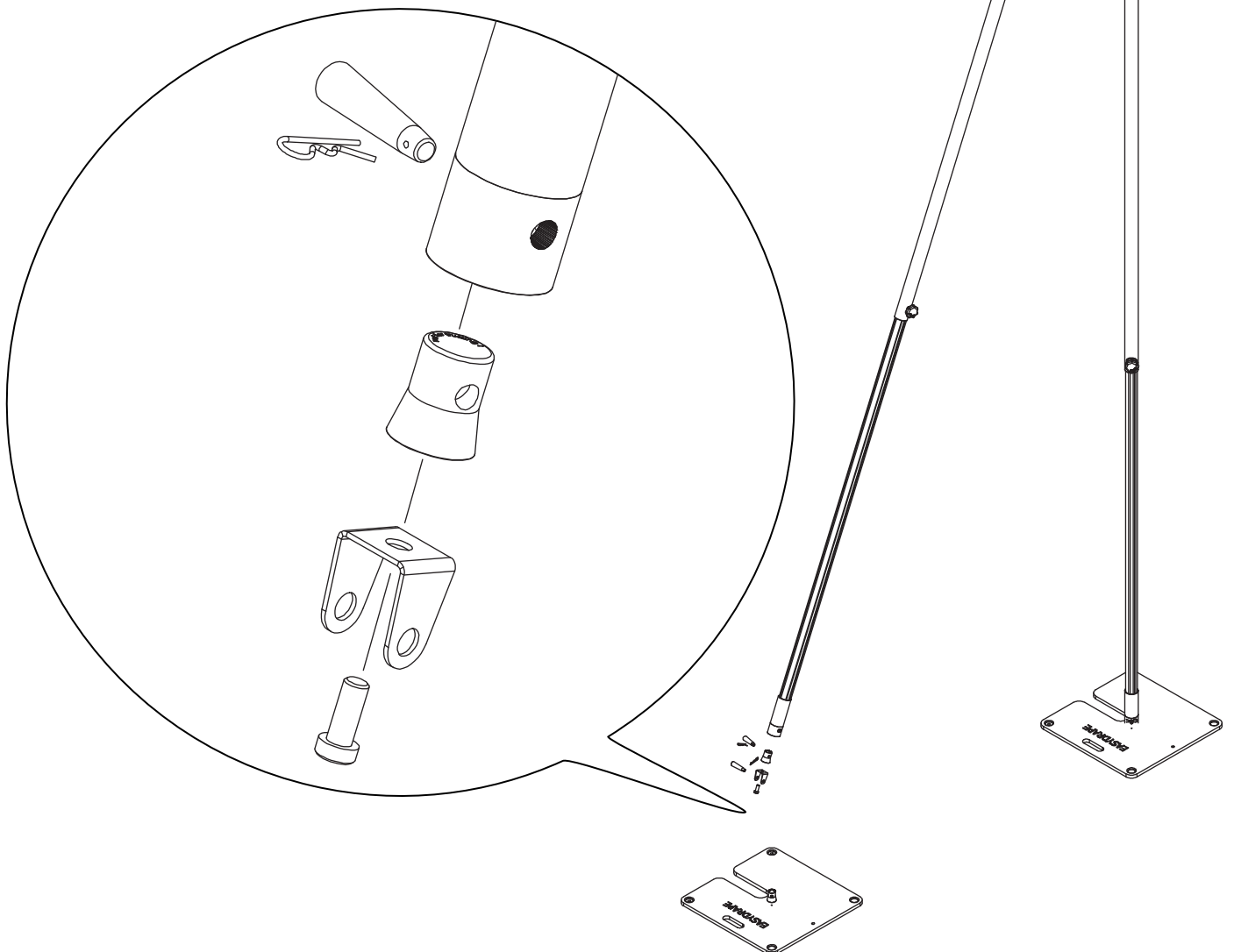


- [5]** Attach a hinge to the other Upright using a half conical coupler.
Use the EasyDrape Tool to hammer the pin into the larger of the two holes in the coupler.
Use a safety R-spring to secure the coupler to the Upright and screw the hinge to the coupler.

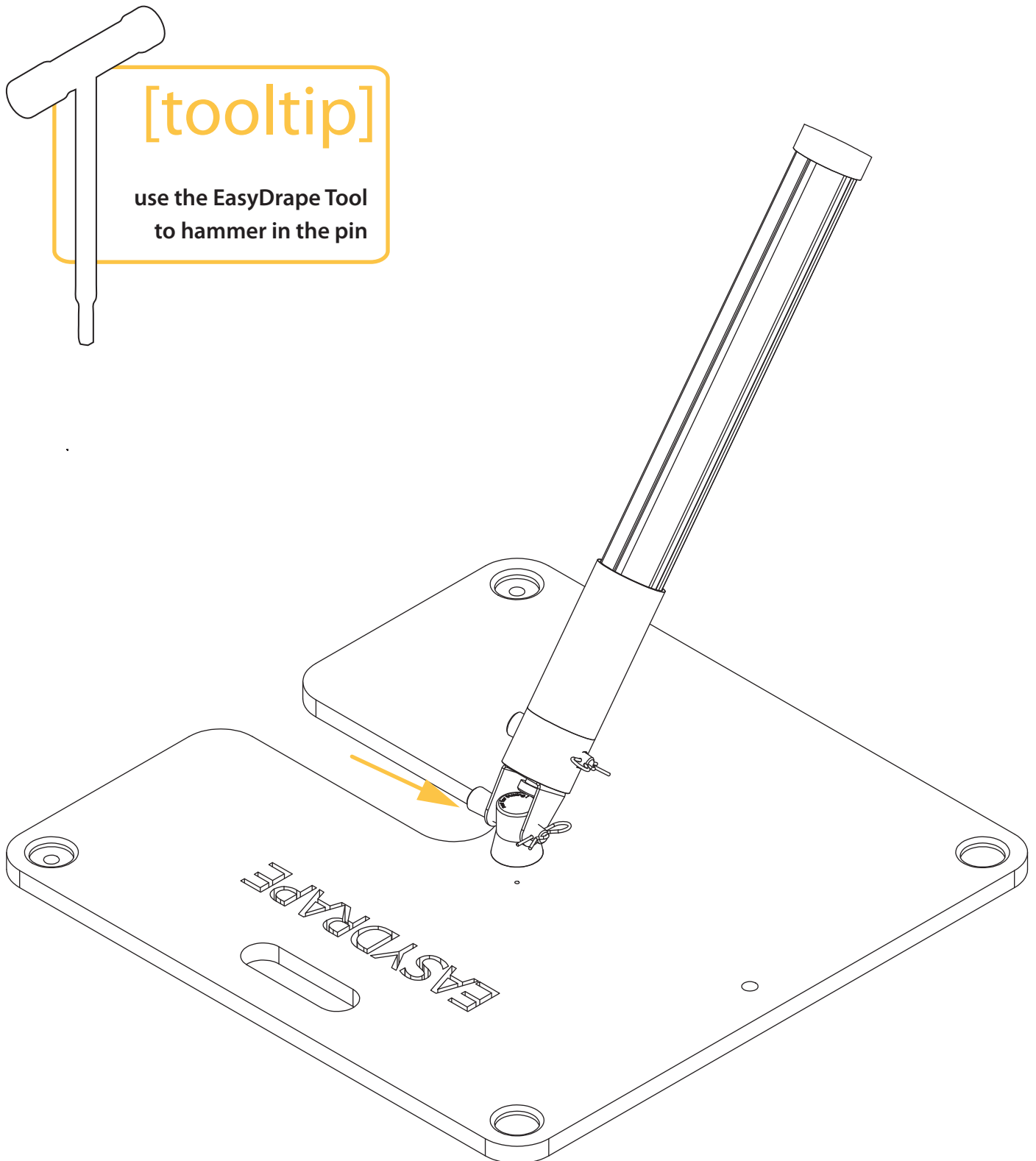


[tooltip]

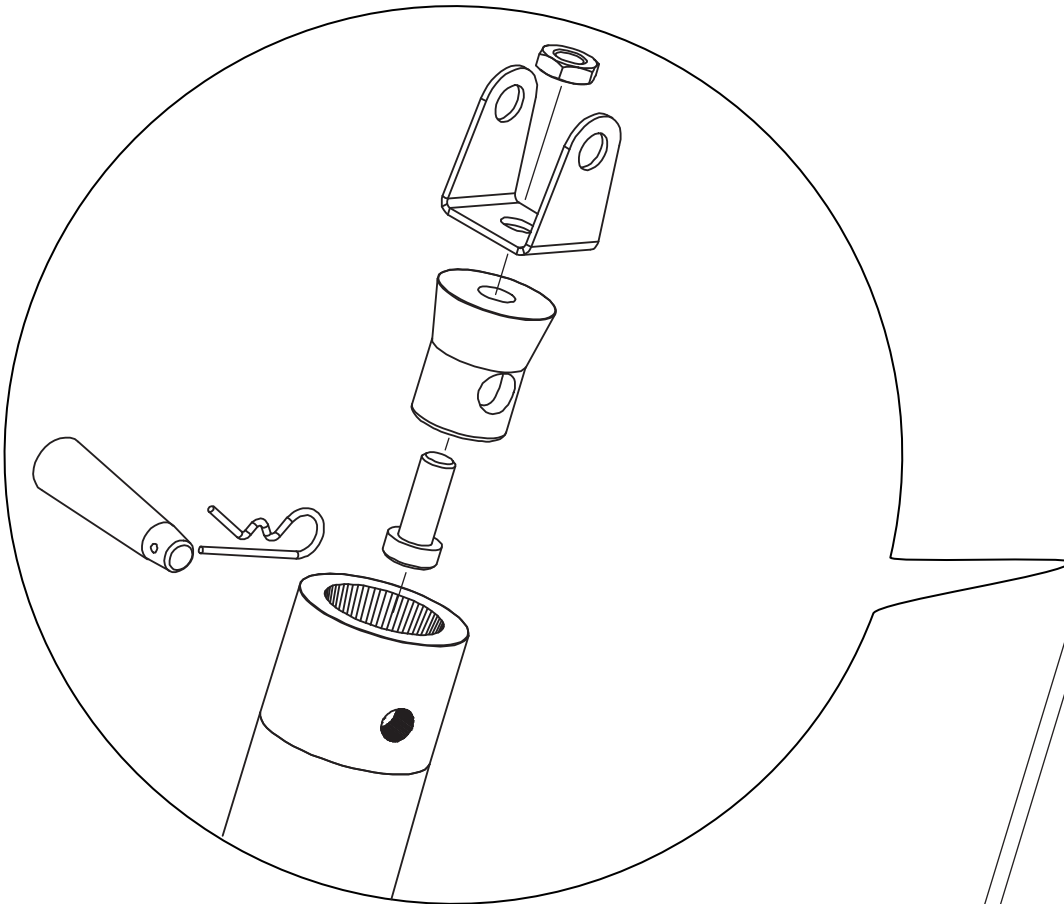
use the EasyDrape Tool
to hammer in the pins



- [6]** **Attach the Upright to the Base Plate.**
Use the EasyDrape Tool to hammer the pin into the larger of the two holes of the hinge.
Use a safety R-spring to secure the hinge to the Base Plate.

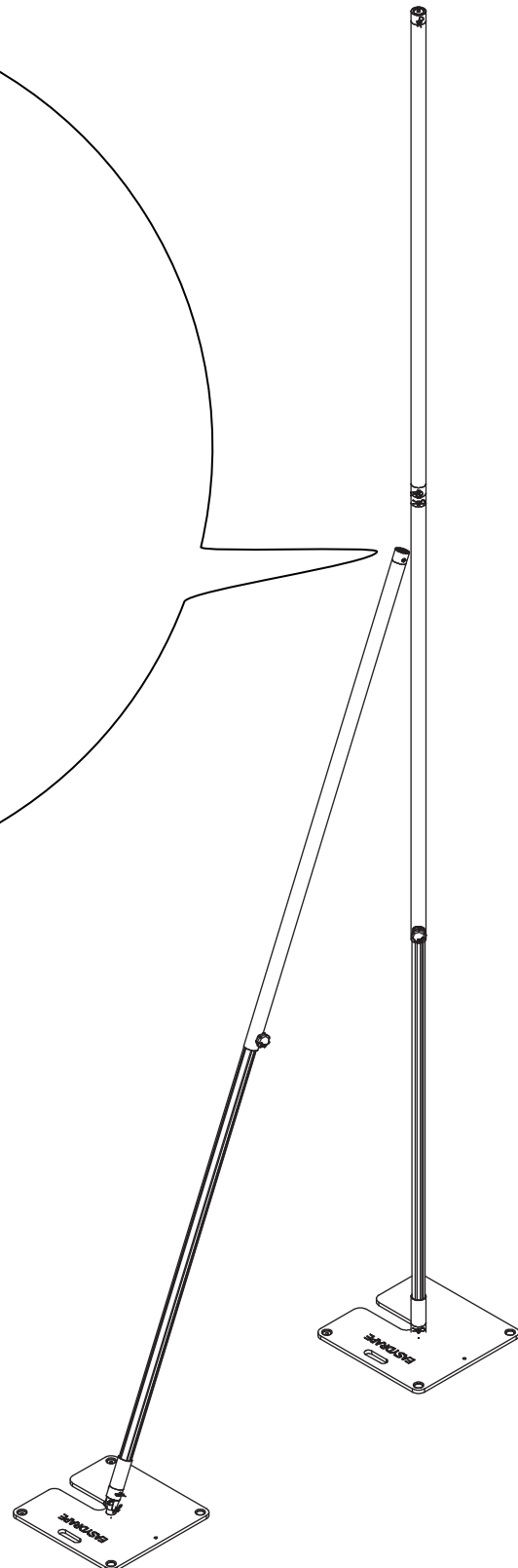


- [7]** Attach a clamp to the top of the Upright using two hinges and a half conical coupler. First screw the half conical coupler to the hinge using a nut, and attach the hinge to the Upright. Use the EasyDrape Tool to hammer the pin into the larger of the two holes in the coupler. Use a safety R-spring to secure the coupler to the Upright and.

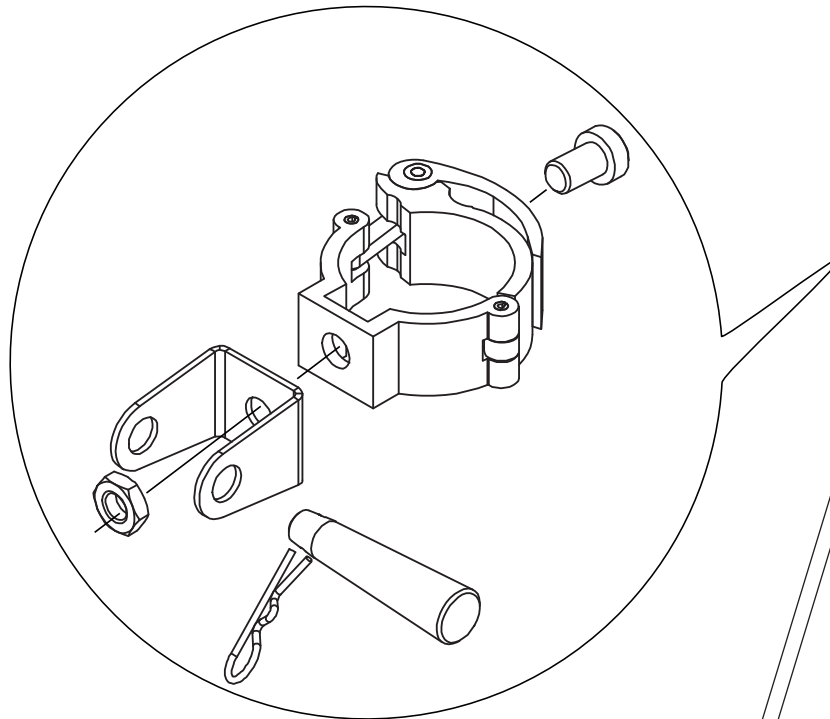


[tooltip]

use the EasyDrape Tool
to hammer in the pin

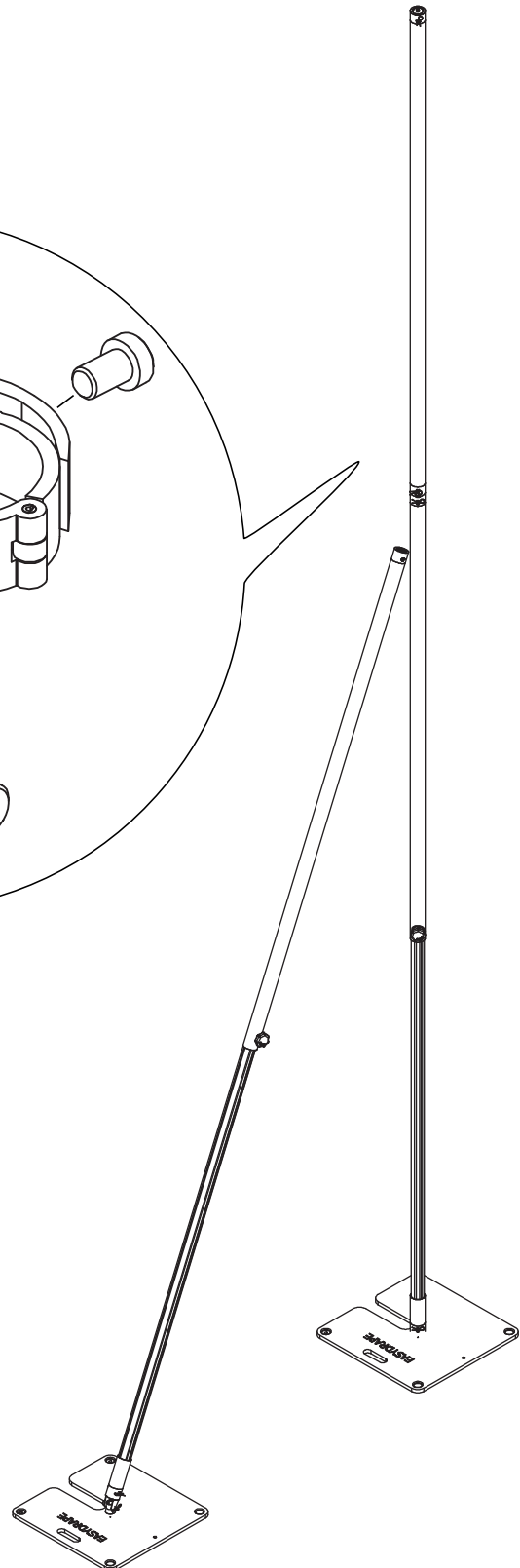


- [6]** Then screw a hinge to the clamp using a nut.
Hammer the pin into the larger of the two holes of the hinges. Use safety R-springs to secure the two hinges together. **Next attach the two hinges together using a pin and R-spring.**



[tooltip]

use the EasyDrape Tool
to hammer in the pin



[7] Attach the clamp to the larger upright and you're ready to roll!

