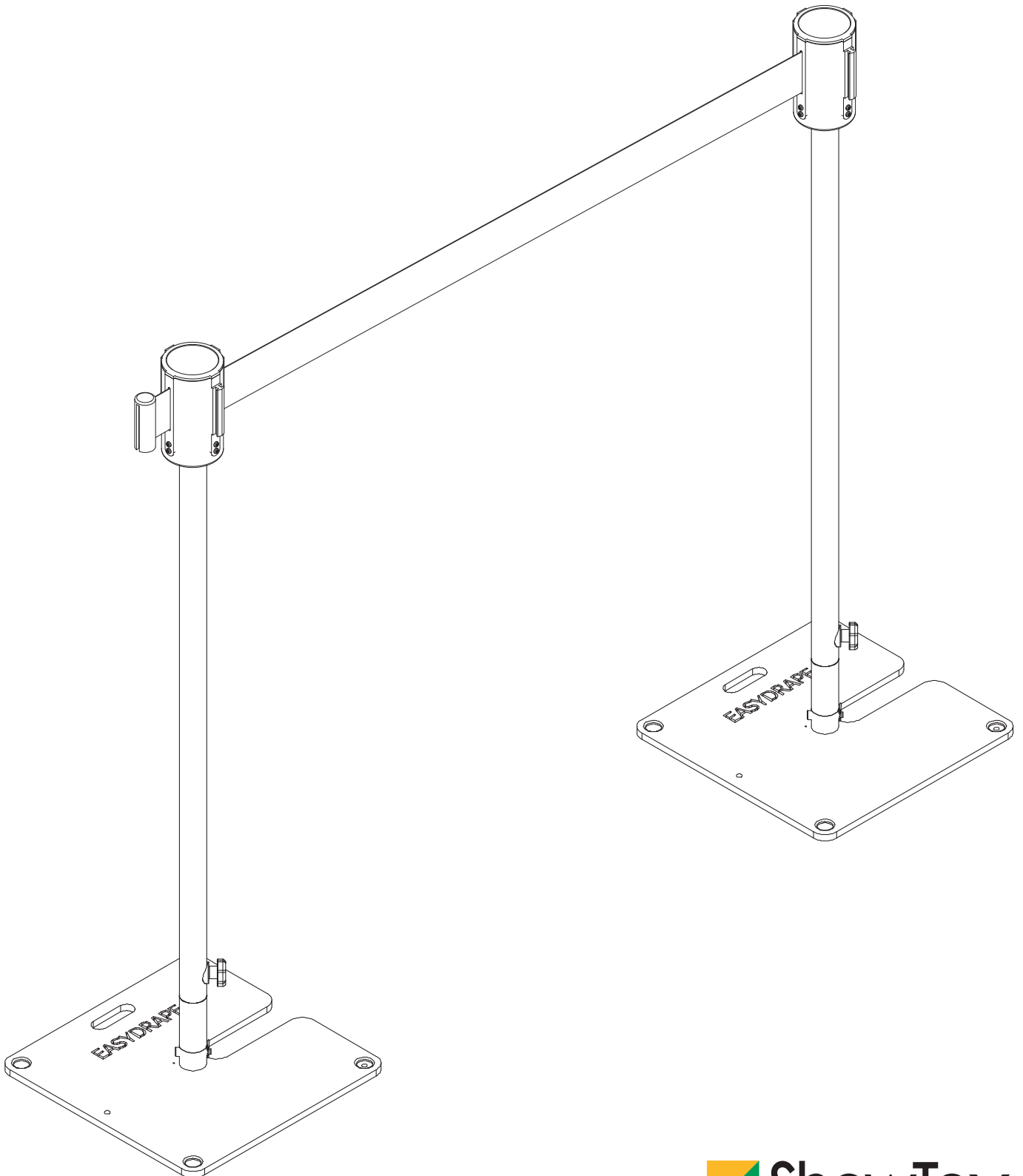


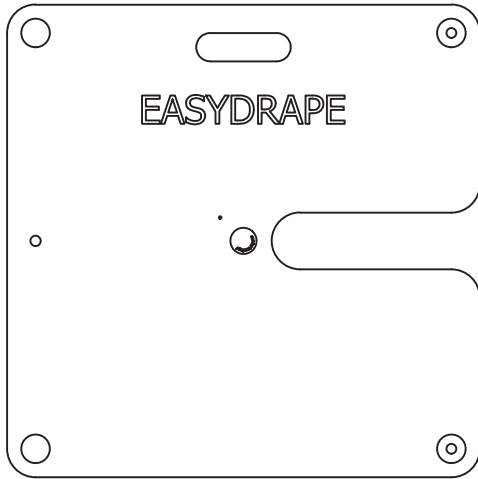
# EASYDRAPE

## RETRACTABLE BELT BARRIER

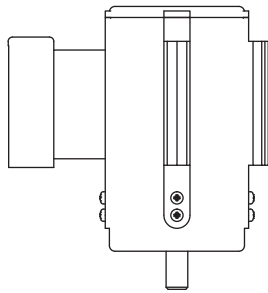


# COMPONENTS

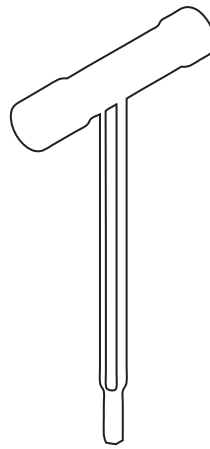
Create unlimited EasyDrape configurations using these different parts.



2X



2X



1X



4X



4X



4X



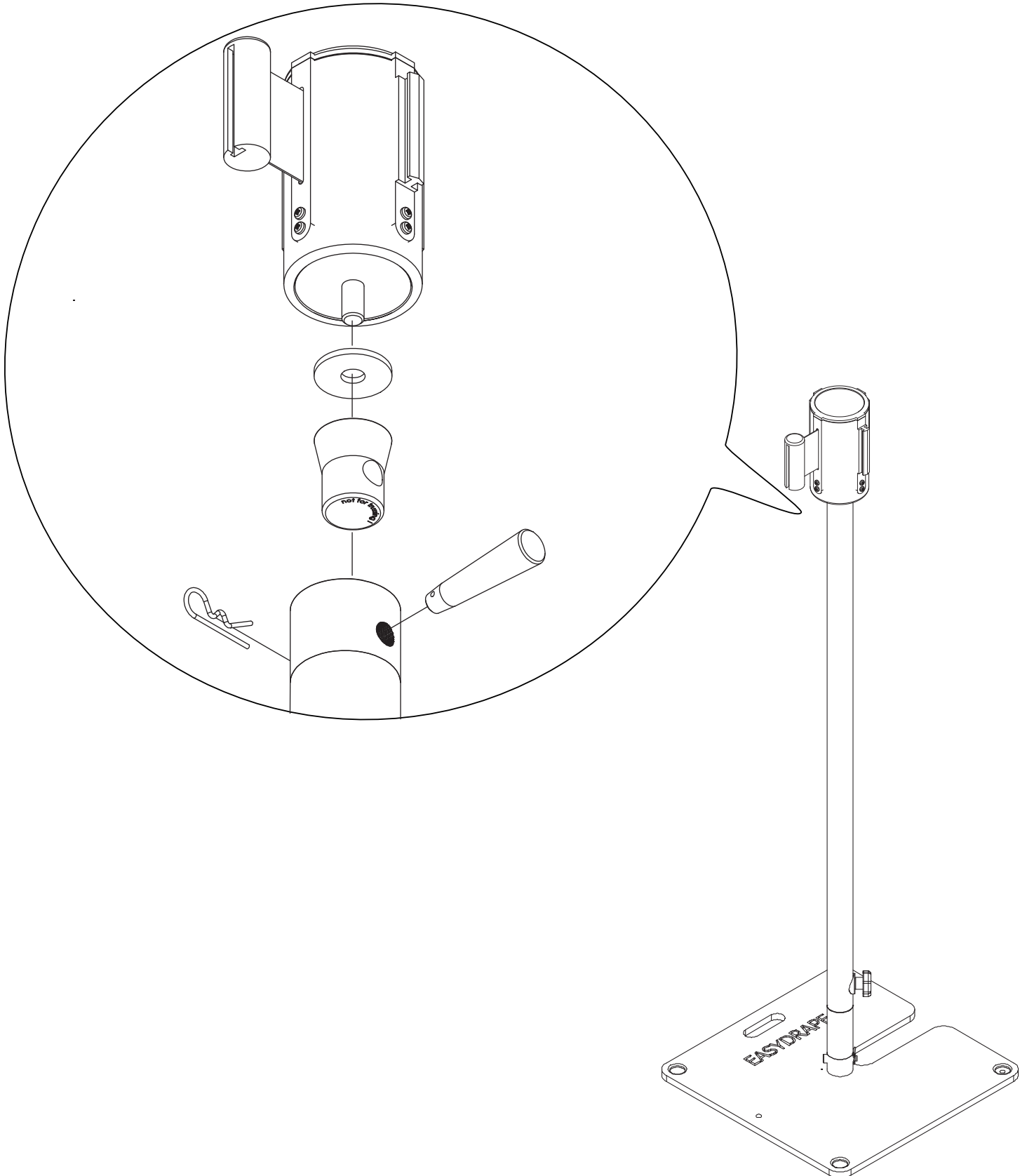
2X

# ASSEMBLY

---

- [1]** Place 2 base plates and attach the base plate connectors to the plates (page 7)
- [2]** Attach the Uprights to the plates (page 8)
- [3]** Secure the Uprights to the base plates (page 9)

- [4]** Attach the Retractable Belt Barrier to the Upright using a half conical coupler. Hammer the pin into the larger of the two holes of the coupler. Use safety R-springs to secure the Retractable Belt Barrier to the Upright. Repeat this for the other Upright.



- [5] Attach the belt to another Retractable Belt Barrier and you're ready to roll!

